



DANISH MANUFACTURER
OF INSTRUMENT VALVES

Thank you for showing interest in our company

Lisberg Instrument Valves ApS is a Danish manufacturer of instrument valves.

The company is founded on more than 50 years of experience within the valve industry.

The range of valves include simple needle valves, ball valves, manifold valves, monoflange valves to double block and bleed ball valves.

Besides our standard production valves, a wider variety of special valves have been developed in close consultation with our valued customers.

We primarily serve customers in the Power Industry, Off-Shore, Oil and Gas, and the Process industry.

The valves are made of stainless steel AISI 316 as standard, and we have the expertise and experience to make our products unique.

We use a wide range of materials such as A350LF2, 22Cr Duplex, 25Cr Duplex, 6Mo, Titanium, Monel 400, Hastelloy C, Inconel 625 and 825 acc. to Norsok.

Our state of the art production facilities based in Hillerød, Denmark enables us to design and manufacture the perfect valve solution.

The Lisberg family is ready to serve you.



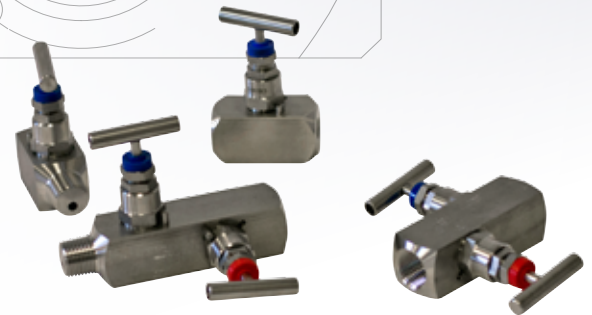
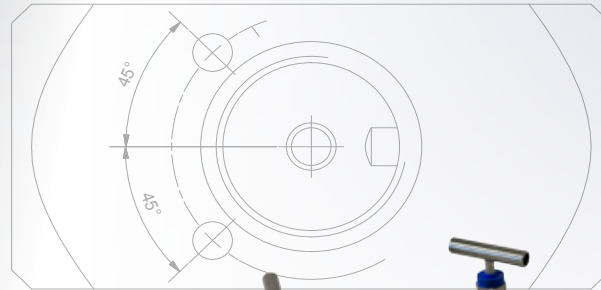
OUR PRODUCTS

- NEEDLE VALVES 3
- MONOFLANGES 4
- MANIFOLD VALVES 4
- DOUBLE BLOCK AND BLEED BALL VALVES 5
- BALL VALVES 6
- SPECIALS AND ENCLOSURES 6
- QUALITY 7

NEEDLE VALVES

Our range of needle valves are all made from a one piece body construction. The bonnet is made with a non-rotating tip. The metal back sealing of the spindle is protecting the packing and Anti-blowout spindles is standard.

Range from ¼" NPT to 1" NPT and pressure rating from 6000 psi (414 bar) to 10.000 psi (690 bar).

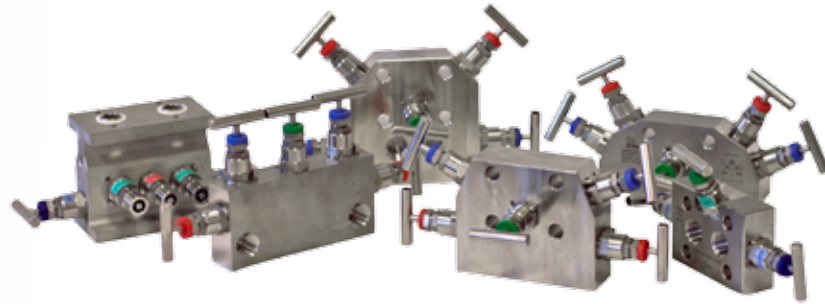


MONOFLANGES

Where compactness is required we offer a complete range of close coupled slimline monoflange and double block and bleed valves in accordance with ANSI / ASME B.16.34. Our valves are fire safe tested and made with fully integral outside stem and yoke bolted bonnet with metal seat for high pressure gas applications

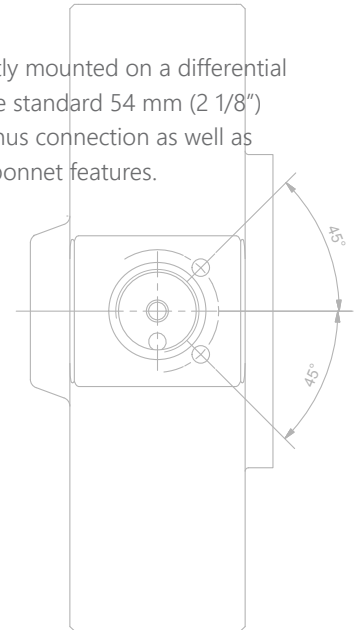
Range from ½" to 3" and pressure ratings
ANSI 150 – 2500 LBS / DIN PN10- PN160

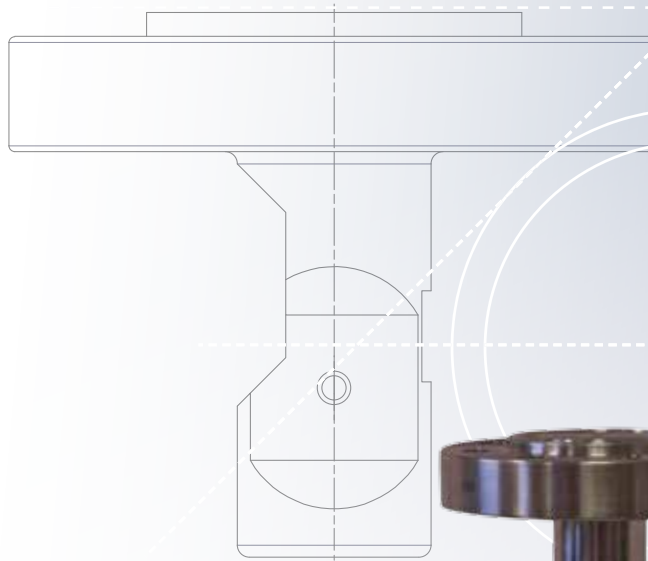
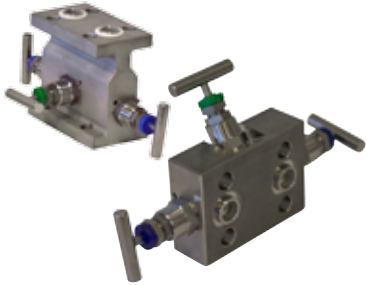
Also with hub connections



MANIFOLD VALVES

Lisberg valve manifold is directly mounted on a differential pressure transmitter having the standard 54 mm (2 1/8") distance between plus and minus connection as well as having the above mentioned bonnet features.





DOUBLE BLOCK AND BLEED BALL VALVES

Sampling and chemical injection double block and bleed valves.

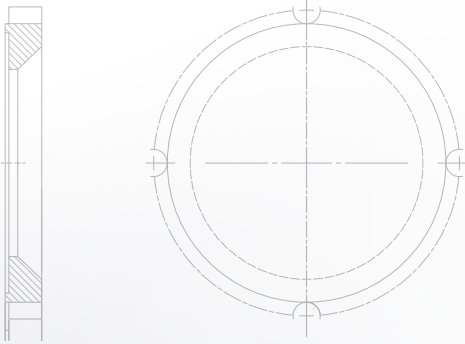
The valves can be supplied in two options: flange/thread or flange/flange. All made with a $\varnothing 10$ mm bore in the balls.

Fire safe tested.

Range from $\frac{1}{2}$ " to 3" and pressure ratings
ANSI 150 – 2500 LBS / DIN PN10- PN160.

Also with hub connections.





SPECIALS AND ENCLOSURES

We can offer special valves and assemblies like the closed coupled orifice flanges and other integral solutions.

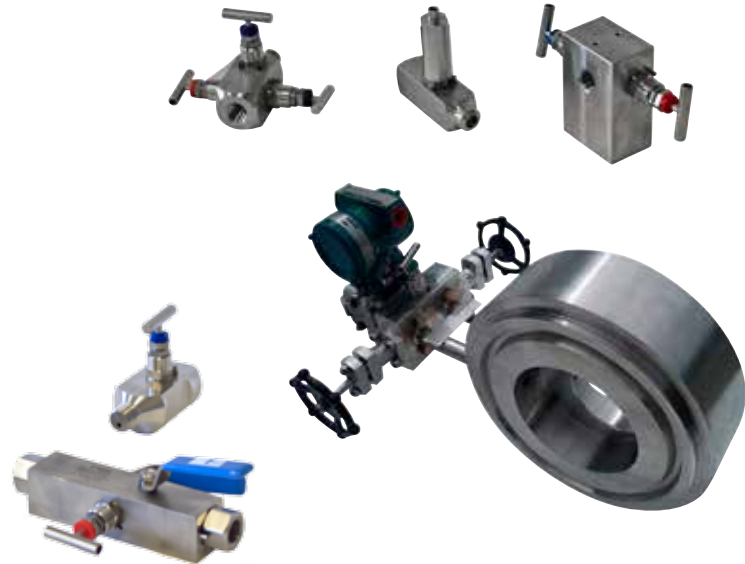
We offer a wide range of Glass Reinforced Polyester (GRP) instrument protection enclosures to protect the valves and transmitters from the surroundings.

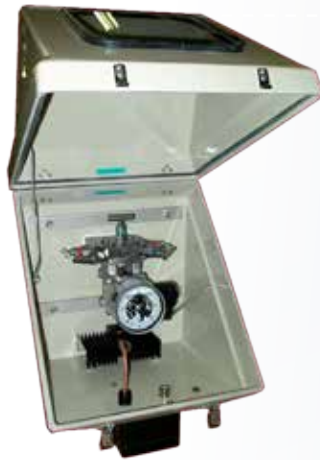


BALL VALVES

Anti-blowout spindles is standard.

Range from ¼" NPT to 1" NPT and pressure rating from 6000 psi (414 bar). Two bore sizes Ø10 and Ø20.



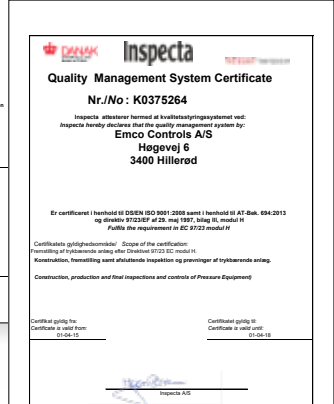
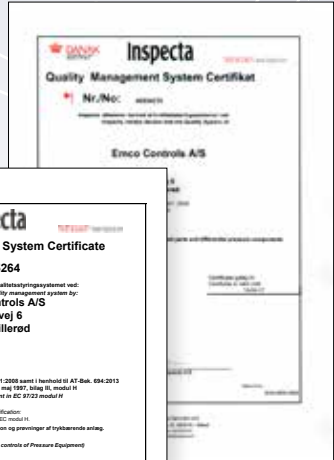


QUALITY

Supplying of high quality products is one of the essentials for us.

Our production is ISO 9001, EN 3824-2 and PED modul H approved.

We supply acc. to Norsok, MOTS and others. The valves is fire safe approved.





LISBERG INSTRUMENT VALVES APS
HØGEVEJ 4
DK- 3400 HILLERØD
+45 7060 6120
INFO@LISBERGVALVES.DK
WWW.LISBERGVALVES.DK